



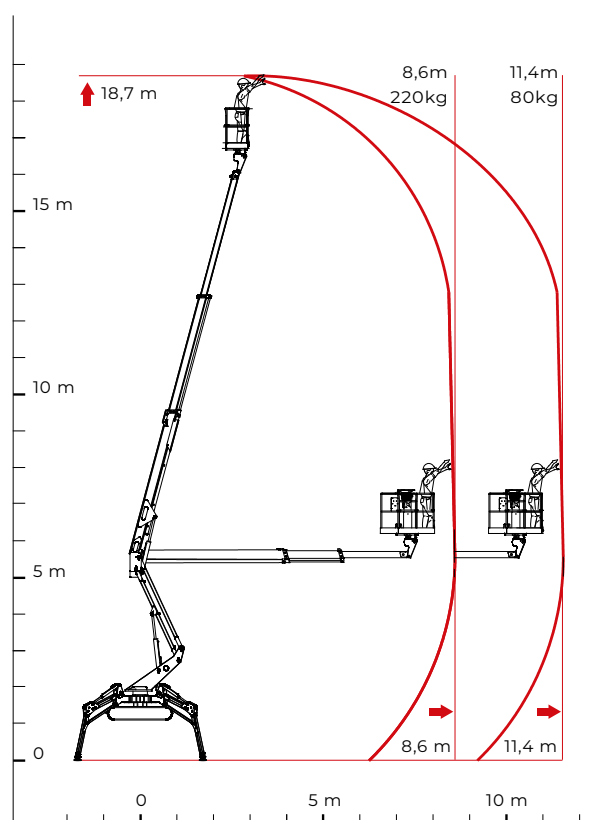
TECHNICAL SHEET

PERFORMANCE AND DIMENSIONS

Main features

This articulated platform with pantograph and telescopic boom offers outstanding performance thanks to its stabilizers of high levelling capacity. Designed for maximum work performance on the toughest terrain, it's an excellent alternative to a truck-mounted platform.

Max. working height	18,7 m
Max. reach with 80 kg	11,4 m
Platform height	16,7 m
Max. load in basket	220 kg
Basket dimensions	1,4 x 0,7 x 1,1 m
Basket rotation	+90°/-87° (options)
Turret rotation	+/- 355° (710° continuous)
Total weight	2685 Kg



C.M.C. s.r.l.
Via Bitritto, 119 - 70124 Bari - Italy
Tel. +39 080 532 66 06
cmclift.com - info@cmclift.com



