




# TCL152

## 1.5T COUNTERBALANCE FORKLIFT TRUCK

 1500 kg  2500 mm  80 V Li-Ion



**Versatile Usage:** In the food industry, at logistics centres, in HGVs or containers, and in retail environments; whenever things get really tight, TCL152 is the solution.

This lightweight and compact electric forklift is ideal for indoor usage in narrow aisles, mezzanines and cargo lifts. It's a great space-saving solution for intensive warehousing.

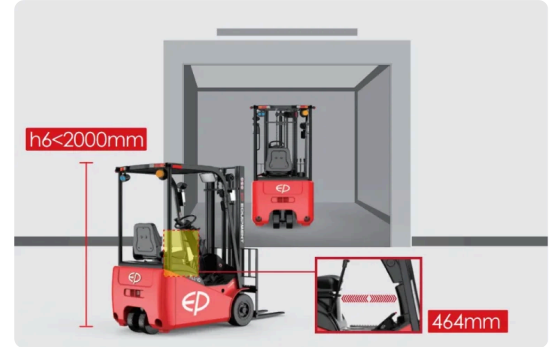
SPECIFICATION	REF	UNIT	VALUE
Battery type			Li-Ion
Battery nominal capacity		Ah	100
Battery voltage		V	80
Load capacity	Q	kg	1500
Load centre distance	c	mm	500
Service weight		kg	2698
Retracted mast height	$h_1$	mm	2012
Lift height	$h_3$	mm	2500
Height, mast extended	$h_4$	mm	4065
Overall length		mm	2787
Overall width	$b_1/b_2$	mm	1020
Length to face of forks	l <sub>2</sub>	mm	1867
Fork dimensions	s/e/l	mm	40X100X920
Turning radius		Wa	1572
Operator type			Seated operator
Load distance, centre of drive axle to fork		mm	365

# Features

## Compact size

With its service weight less than 2 tons, compact size, and overhead guard height ( $h_6$ ) < 2000mm, the TCL152 is ideal for mezzanines and cargo lifts usage and in narrow spaces like intensive warehousing and HGVs. To fits the smallest of spaces, it also provides optional folding forks for increased versatility.

Despite its compactness, the TCL152 prioritises operator comfort with an ergonomic design, providing an ample legroom of 464mm for a comfortable operating experience.

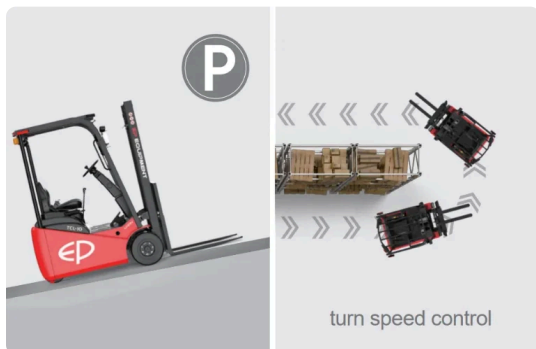


## Dual drive motors

The dual drive motors give the TCL152 sensitive steering and the 3-wheel design allows it to turn on the spot. Both contribute to its smaller turning radius of 1422mm and offers great maneuverability in crowded environments. With a top speed of 13km/h, the truck can move pallets quickly and ensures working efficiency.

## Li-ion & PMSM technology

Equipped with 80V Li-ion battery and integrated charger as standard, the TCL152 supports opportunity charging with no maintenance. Additionally, the TCL152 employs advanced permanent magnet synchronous motor (PMSM) technology and can achieve 10-15% energy savings and extend runtime by 10% compared to conventional motors.



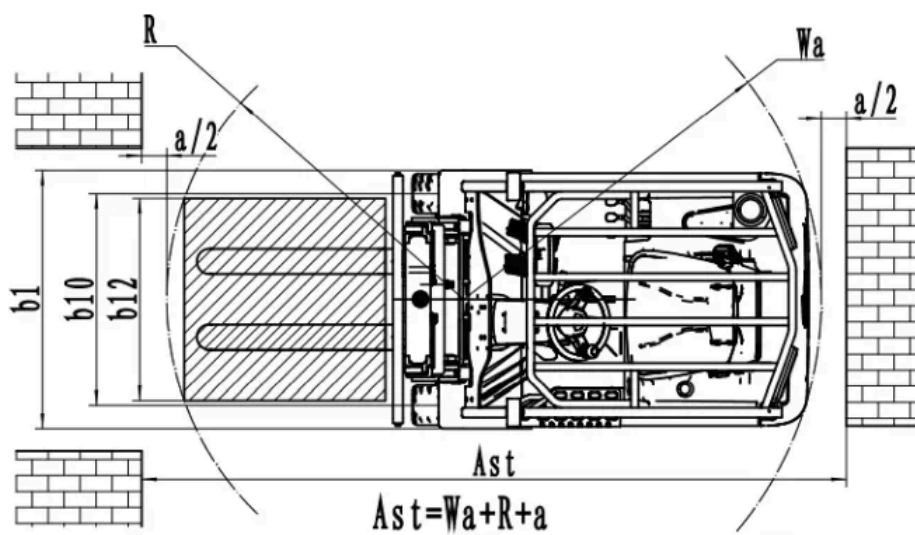
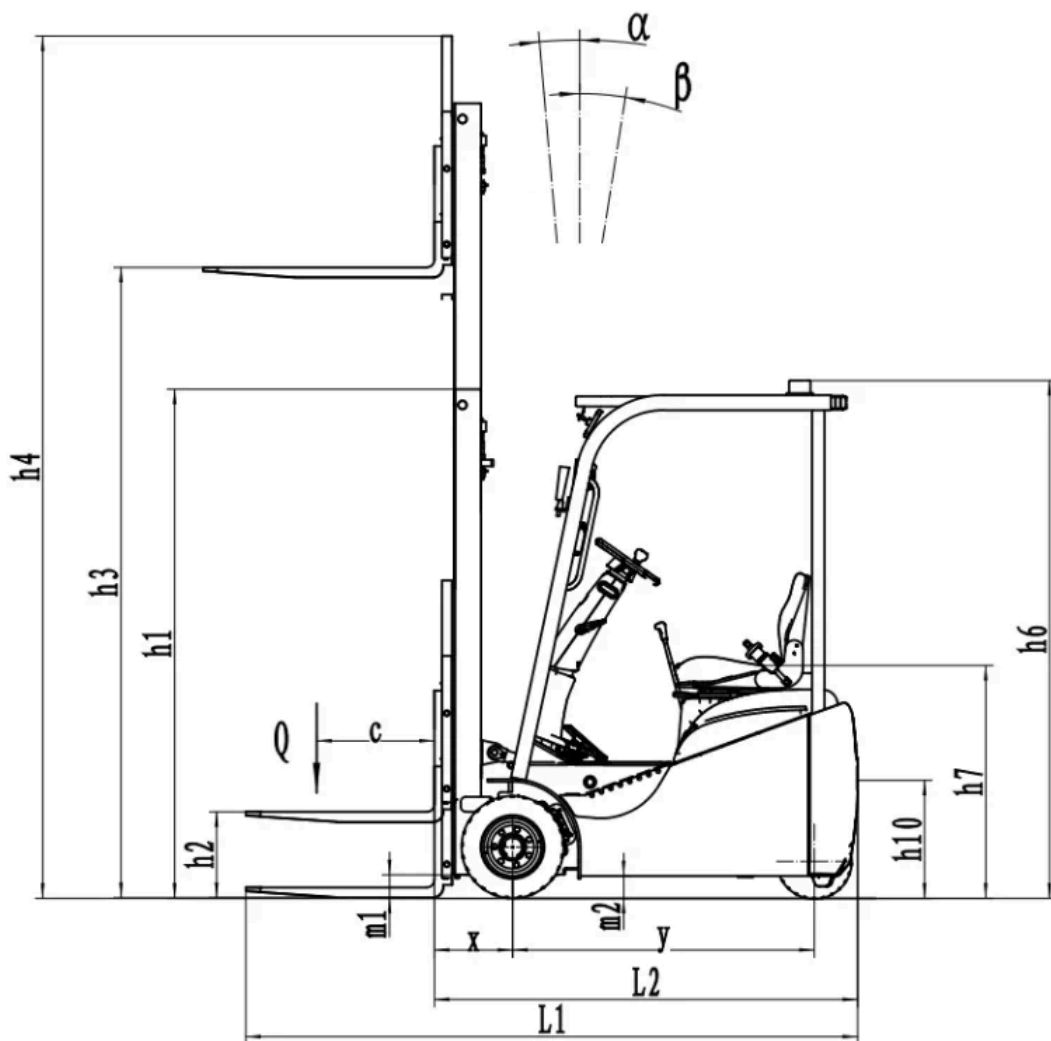
## Automatic parking brake

The TCL152 features an automatic parking brake which can protect the forklift from accidentally rolling back when parked on a slope. It's also equipped with turn speed control as standard for operation safety and stability even in the tightest of corners.

# VDI Chart

	SPECIFICATION	REF	UNIT	VALUE
1.4	Operator type			Seated operator
1.5	Load capacity	Q	kg	1500
1.6	Load centre distance	c	mm	500
1.8	Load distance, centre of drive axle to fork		mm	365
1.9	Wheelbase		mm	1300
2.1	Service weight		kg	2698
2.2	Axle loading, laden front/rear		kg	3681/517
2.3	Axle loading, unladen front/rear		kg	1186/1512
3.1	Tyre type			Solidrubber
3.2	Tyre size, front			18X7-8
3.3	Tyre size, rear			140/55-9
3.5	Wheels, number front/rear (x=drive wheels)			2X/2
3.6	Tread width, front	b <sub>10</sub>	mm	850
3.7	Tread width, rear	b <sub>11</sub>	mm	210
4.1	Tilt of mast/fork carriage forward/backward		°	6/6
4.12	Tow coupling height		mm	513
4.19	Overall length		mm	2787
4.2	Retracted mast height	h <sub>1</sub>	mm	2012
4.2.1	Overall height			4065
4.20	Length to face of forks	l <sub>2</sub>	mm	1867
4.21	Overall width	b <sub>1</sub> /b <sub>2</sub>	mm	1020
4.22	Fork dimensions	s/e/l	mm	40X100X920
4.23	A,B Fork carriage class/type A, B			2A
4.24	Fork carriage width		mm	960
4.3	Free lift		mm	120
4.31	Ground clearance, laden, below mast		mm	93
4.32	Ground clearance, centre of wheelbase		mm	115
4.34.1	Aisle width for pallets 1000×1200 crossways		Ast	3260
4.34.2	Aisle width for pallets 800×1200 lengthways		Ast	3384
4.35	Turning radius		Wa	1572
4.4	Lift height	h <sub>3</sub>	mm	2500
4.4.1	Max lift height		mm	4500

	SPECIFICATION	REF	UNIT	VALUE
4.5	Height, mast extended	$h_4$	mm	4065
4.7	Height of overhead guard (cabin)		mm	1988
4.8	Seat height/standing height		mm	948
5.1	Travel speed, laden/unladen		km/h	11/13
5.10	Service brake			Electromagnetic
5.11	Parking brake			Electromagnetic
5.2	Lifting speed, laden/unladen		m/s	0.28/0.35
5.3	Lowering speed, laden/unladen		m/s	0.35/0.35
5.5	Drawbar pull, laden/unladen			Drawbar pull, laden/unladen
5.6	Max. drawbar pull, laden/unladen			3681/517
5.8	Max. gradeability, laden/unladen		%	13/15
6.1	Drive motor rating S2 60 min		kW	2.0X2
6.2	Lift motor rating at S3 15%		kW	7
6.4	Battery nominal capacity		Ah	100
6.4	Battery voltage		V	80
6.4.1	Battery type			Li-Ion
6.5	Battery weight		kg	66
6.5	Charger output current			35
6.6	Energy consumption according to DIN EN 16796		kWh/h	Energy consumption according to DIN EN 16796
6.7	Turnover output according to VDI 2198			Turnover output according to VDI 2198
6.8	Turnover efficiency according to VDI 2198			Turnover efficiency according to VDI 2198
8.1	Type of drive control			永磁同步
10.5	Steering design			Hydraulic
10.7	Sound pressure level at the drivers ear		dB(A)	68



# Mast Options

MAST TYPE	LIFT HEIGHT (H3, MM)	MAST LOWERED HEIGHT (H1, MM)	MAST EXTENDED HEIGHT, NO BACKREST (H4, MM)	MAST EXTENDED HEIGHT, WITH BACKREST (H4, MM)	FREE LIFT HEIGHT, NO BACKREST (H2, MM)	FREE LIFT HEIGHT, WITH BACKREST (H2, MM)	HEIGHT, MAST EXTENDED, NO SHELIVING (H4, MM)	HEIGHT, MAST EXTENDED, WITH SHELIVING (H4, MM)	HEIGHT, FREE LIFT, NO SHELIVING (H2, MM)
2-Standard Mast	2500	1745	2995	3565	120	120	6	6	310
2-Standard Mast	2700	1845	3195	3765	120	120	6	6	310
2-Standard Mast	3000	1990	3495	4065	120	120	6	6	310
2-Standard Mast	3300	2145	3795	4365	120	120	6	6	310
3-Free Mast	4000	1775	4525	5055	1280	750	6	6	360
3-Free Mast	4300	1925	4805	5335	1430	900	6	6	360
3-Free Mast	4500	2025	5025	5555	1530	1000	6	6	360

# Options

ITEM	OPTIONS (optional items marked in yellow)
Fork dimension	600*600 2A 100*35*920   600*600 2A 100*35*750   600*600 2A 100*35*1070   900*600 2A 100*40*1150   900*600 2A 100*40*1220
Seat type	Regular+ safety belt switch   Comfortable + safety belt switch   Suspension + safety belt switch
Attachments	No   Built-in sidsifter   External shifter
Traction pin	Yes and not customised
Front wheel material	Normal solid   Non-marking solid
Rear wheel material	Normal solid   Non-marking solid
Battery capacity	80V50Ah   80V100Ah
Charger	80V-35A Single-phase built-in charger
Battery display indicator (BDI)	With hourmeter
Area warning lamp	No   Both side   Both side and rear
Rearview mirror	One in front   Two on sides and one in front
Buzzer	Yes and not customised
OPS system	Yes and not customised

ITEM	OPTIONS (optional items marked in yellow)
USB interface	No
Telematics	Yes and not customised
Front lamp	LED
Rear lamp	No   LED
Warning lamp	Yes and not customised
Blue lamp	No   Rear   Front   Front and rear
Cabin	No
Overhead guard	Yes and not customised
Clamp interlock	No
Anti-static chain	Yes and not customised
Turn signal light	LED
Speed reduction for elevated mast-Australian standard	No   Only for Australia standard
Turn speed control	Yes and not customised
Heating system during lithium battery charging	No   Yes and not customised
Operator identification device	Card reader
Lifting electronic limit	No
Hydraulic control	Mechanical lever
Rear armrest horn	No